

PLP-P27615

› Intel® 7th/6th Gen. Core™ Fanless and High Performance 15" Flat Panel PC

NEW



Features



- Intel® 7th/6th Gen. Core™ i7/ i5/ i3 and Pentium® / Celeron® desktop processor (LGA1151)
- 2 x DDR4 2133MHz SO-DIMM memory up to 32GB
- 2 x 2.5" SATA III SSD with RAID 0/1 (Q170)
- 2 x mini-PCIe slots, 1 x PCIe (x4) slot (Q170)
- 2 x GbE LAN, PoE as option
- Wide range voltage DC In 9~36V
- Front panel IP65 design
- Stainless steel front bezel
- 5-wire resistive touchscreen

Specifications



System

CPU Support	Core™ i7-6700TE, Quad Core, 2.4GHz, 8M cache Core™ i5-6500TE, Quad Core, 2.3GHz, 6M cache Core™ i3-6100TE, Quad Core, 2.7GHz, 4M cache Pentium® G4400TE, Dual Core, 2.4GHz, 3M cache Celeron® G3900TE, Dual Core, 2.3GHz, 2M cache Intel® Q170/H110
Chipset	Intel® Q170/H110
Memory Support	2 x DDR4 2133MHz SO-DIMM sockets (up to 32GB)
Watchdog	1~255 seconds watchdog timer selectable
Storage	2 x 2.5" SATA III SSD (support RAID 0/1 in Q170 sku only)
Front Bezel	Stainless
IP65	Yes (for front panel only)
Power Input	DC In 9~36V
Operating System	Windows 10 IoT Enterprise LTSC 2016 64bit / Windows 8.1 (64bit) / Windows 7 (64bit) / Ubuntu16.04 LTS / Linux ubuntu 14.04 (64bit)
Dimensions	408 x 320 x 121.6 mm (W x H x D)
System Weight	8.9 kg
Mounting Support	Wall mount / VESA 100 / Panel mount
Certifications	FCC / CE

Display

LCD	15" TFT LCD (LED) resolution XGA 1024x768
Touchscreen	5-wire resistive touchscreen (USB interface)

Applications

- Automation
- Retail
- Food Service
- Information
- Hospitality

I/O Ports

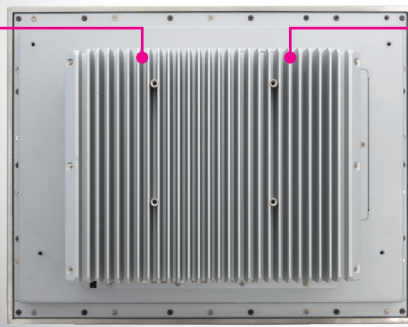
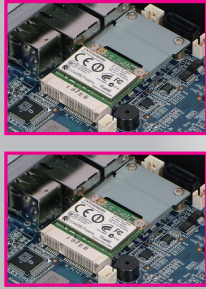
Display	1 x DVI-I (DVI-D+VGA)
USB	4 x USB 3.0
Audio	1 x Line In / 1 x Line Out / 1 x Mic In
LAN	2 x GbE LAN, Wake-On-LAN, PXE LAN 1: Intel® PHY 219 LM (10/100/1000 Mbps) LAN 2: Intel® LAN 210 AT (10/100/1000 Mbps) 2 x PoE (IEEE 802.3af), max.15.4W for each port
Serial Ports	COM3/4 for RS232 COM1/2 for RS232/422/485 (selectable under BIOS) [COM1/2 for +5V/+12V/RI selectable by jumper]
Digital I/O Port	8 in/8 out, DSUB-25 type or 16-pin terminal block (optional)
Expansion Slots	1 x Full size mini-PCIe (mini PCIe, USB and SIM signals) 1 x Half size mini-PCIe (mini PCIe and USB signals) 1 x SIM card slot 1 x CFAST slot
Antenna Hole	3 x antenna holes
Power On/Off	1 x power button 1 x remote switch
LED	2 x PoE active LED (optional)
I ² C Bus	1 x I ² C Bus port (optional)

Environment

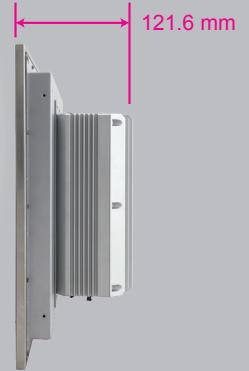
Operating Temp.	SSD: (w/o PoE) 0°C~45°C (32°F~113°F) Ambient with air flow (with PoE) 0°C~40°C (32°F~104°F)
Storage Temp.	-20°C~80°C (-4°F~176°F)
Humidity	20%~90%

Highlights

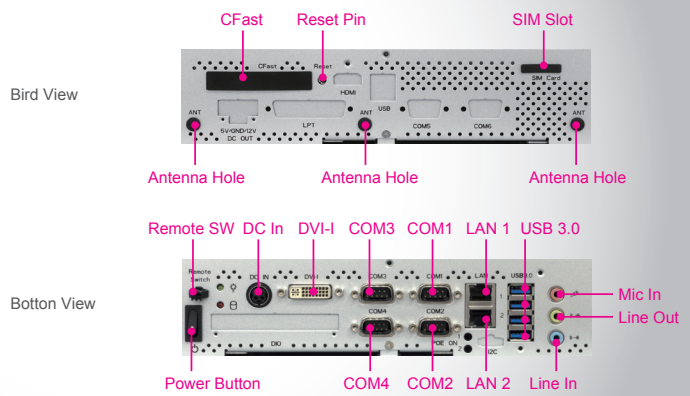
2 x mini PCIe



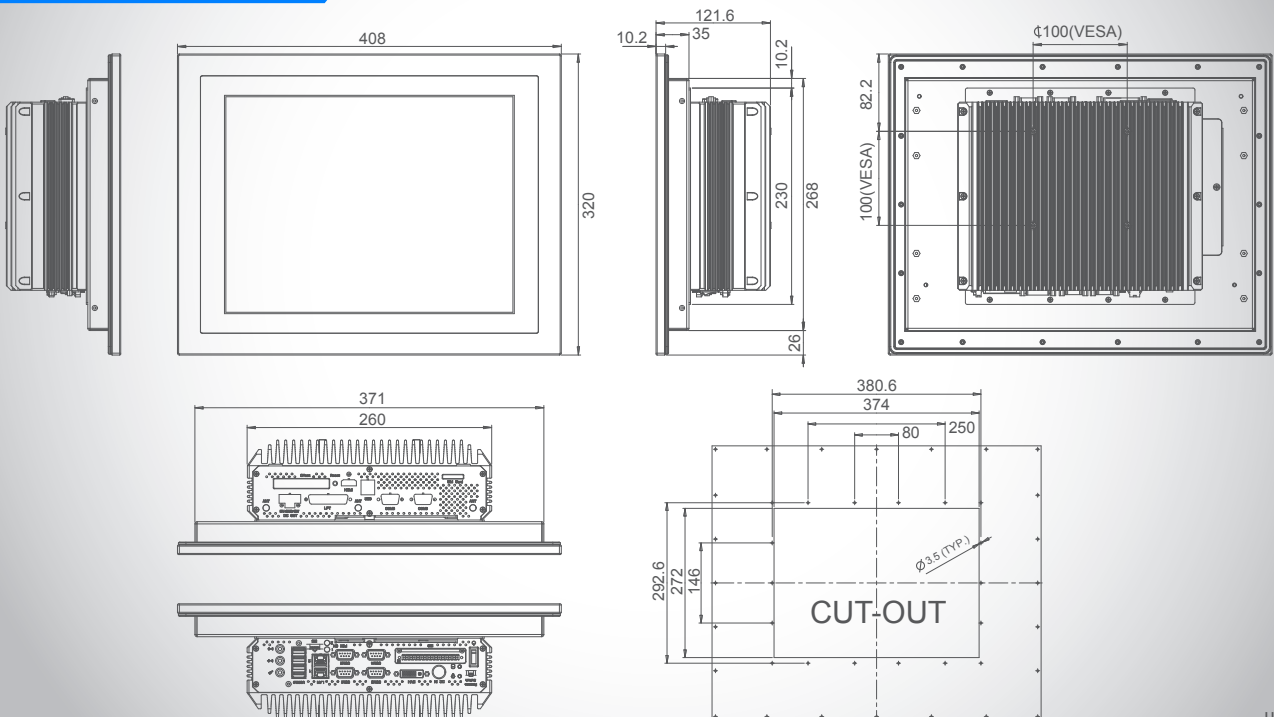
CFast Card Slot



I/O Panel View



Dimensions



unit: mm