

# PLP-P27157

Intel® Atom™ / Pentium® / Celeron® processor fanless and low power 17" flat panel PC

**NEW**



## Features



- Intel® Atom™ E3950 / Pentium® N4200 / Celeron® N3350
- Fanless and quiet design
- HDD easy maintenance
- Three Independent Displays (HDMI up to 4K + DVI-D + LVDS)
- Multiple I/O Port  
(2 x LAN with PoE + 3 x USB3.0 + 2 x COM + I<sup>2</sup>C)
- Expansion Slot (2 x full size mini-PCIe + SD slot + 2 x SIM slot)
- Wide range voltage DC in (9~36V)
- Wide range temperature (w/ E3950)
- Front panel IP65 design
- Stainless steel front bezel
- Supports 5-wire resistive touch screen or projected capacitive touch screen
- Supports high brightness LCD Sunlight readable (optional)
- TPM module (optional)

## Specifications



### System

CPU Type	Intel® Celeron® N3350 2C, 2.4 GHz Intel® Pentium® N4200 4C, 2.5 GHz Intel® Atom™ x7 E3950 4C, 2.0 GHz
Chipset	Intel® SoC
Memory Support	1 x DDR3L 1600/1867 SO-DIMM socket, memory up to 8 GB
Watchdog	1~255 seconds watchdog timer selectable
Drive Bay	1 x 2.5 inch SATAIII HDD or SSD drive space
Front Bezel	Stainless steel (SUS 304)
IP65	Yes (for front panel only)
Power Supply	DC in 9~36V
Operating System	Windows 10 IoT Enterprise LTSB 2016 64bit / Ubuntu16.04 LTS
Dimensions	436 x 368 x 87 mm (W x H x D)
System Weight	6.9 Kg
Mounting Support	Wall mount / VESA 100 / Panel mount
Certifications	FCC / CE

### Display

LCD	17" TFT LCD (LED) resolution SXGA 1280 x 1024
Touch Screen	5-wire resistive touch screen or projected capacitive touch screen (USB interface)

### Applications

- Automation
- Retail / Chain Store
- Food Service
- Finance
- Information

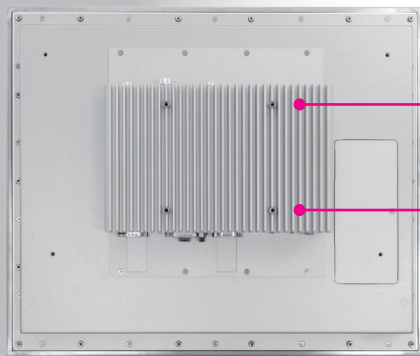
### I/O Ports

Display	1 x HDMI up to 4K, 1 x DVI-D
USB	3 x USB 3.0
Audio	1 x Line-out, 1 x MIC-In
LAN	2 x LANs with PoE (IEEE 802.3af) as option, wake-on-lan, PXE LAN 1: Intel® I210IT LAN 2: Intel® I210IT
Serial Ports	COM 1/2 for RS232/422/485 selectable by BIOS, RI/5V/12V selectable by jumper
Drive Bay	1 x 2.5 inch SATAIII HDD or SSD drive space
Expansion Slots	1 x full size mini PCIe (with mSATA or 3G/4G card with USB 2.0 signal) 1 x full size mini PCIe (with PCIe or 3G/4G card with USB 2.0 signal) 1 x SD slot 2 x SIM slot
Antenna Hole	4 x antenna holes
Power On/Off	1 x power button 1 x remote switch
LED	2 x PoE LED
I <sup>2</sup> C	1 x I <sup>2</sup> C port

### Environment

Operating Temp.	HDD: 0°C~40°C (32°F~104°F)
Ambient with air flow	SSD: 0°C~50°C (32°F~122°F) Wide range temperature: 0°C~50°C (32°F~122°F) (w/ N3350) Wide range temperature: -20°C~50°C (-4°F~122°F) (w/ E3950)
Storage Temp.	-20°C~80°C (-4°F~176°F)
Humidity	20%~90%

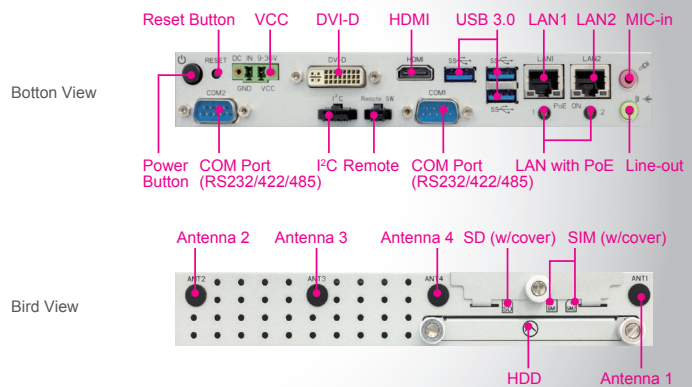
## Highlights



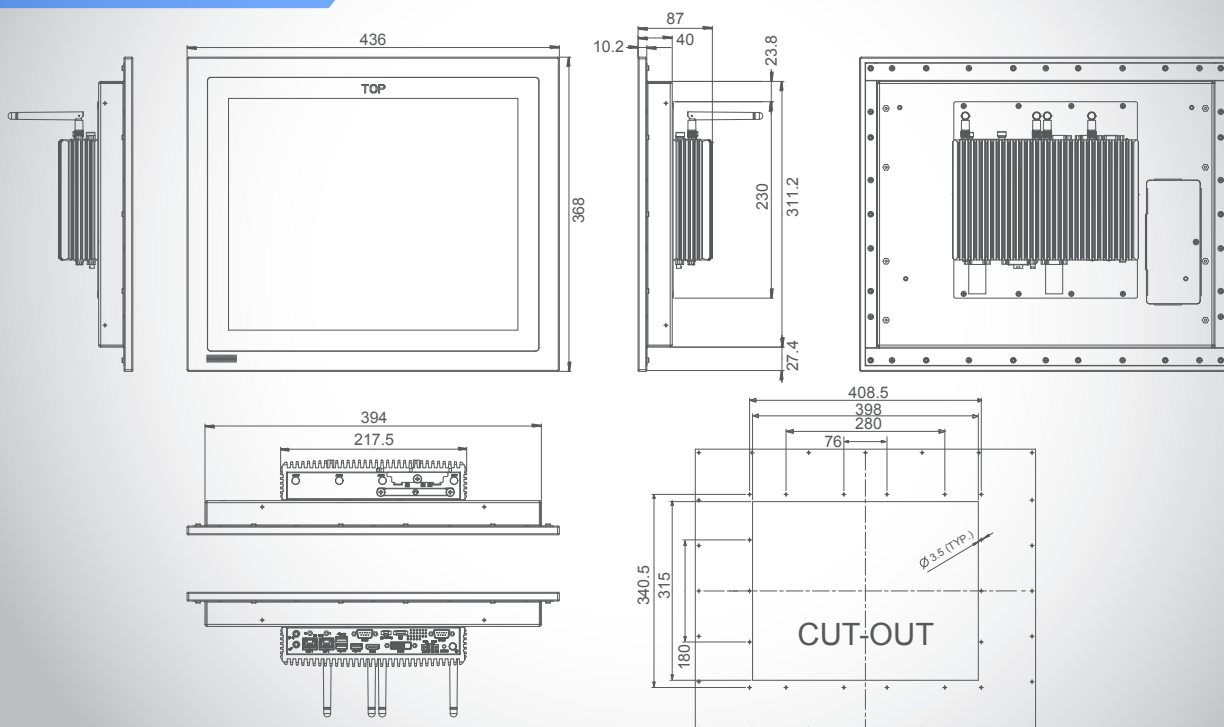
2 x mini PCIe



## I/O Panel View



## Dimensions



unit: mm