

PLP-P27145

Intel® Celeron® J1900 and Atom™ E3845 processor low power 15" flat touch panel PC



NEW



Features

- Intel® Celeron® J1900 and Atom™ E3845 processor on board
- 2 x LANs (10/100/1000 Mbps)
- 3 x USB 2.0 ,1 x USB 3.0
- HDD easy maintenance
- Front panel IP65 design
- Stainless steel front bezel
- Wide range voltage DC in (9~36V)
- Wide range temperature (with E3845)
- Supports 5-wire resistive touch screen or projected capacitive touch screen
- Supports 1000-1600 nits high brightness LCD Sunlight readable (optional)

Specifications



System

CPU Type	Intel® E3845/J1900
Chipset	Intel® SoC
Memory Support	2 x 204-pin DDR3L SO-DIMM, support dual-channel DDR3L 1333/1600MHz (system max. 8GB)
Watchdog	1~255 seconds watchdog timer selectable
Drive Bay	2 x 2.5" SATA II
Front Bezel	Stainless steel (SUS 304)
IP65	Yes (for front panel only)
Power Supply	DC in 9~36V
Operating System	Win 7, Win 10 IoT Ent LTSB 2016, Linux Ubuntu 14.04
Dimension (WxHxD)	408 x 320 x 97.55 mm
System Weight	TBD
Mounting Support	Wall mount/ VESA 75/100/ Panel mount
Certificate	FCC / CE

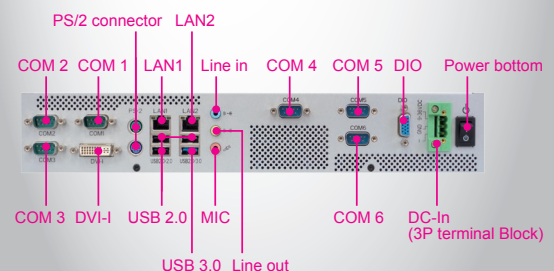
I/O Ports

Display	1 x DVI-I (DVI-D+VGA)
USB	3 x USB 2.0 ,1 x USB 3.0
Audio	1 x Line-out/ Line-in/ MIC audio jack connector
LAN	2 x LANs (10/100/1000 Mbps)
Serial Port	6 x COM port, COM 1/2/3/4 for RS-232 COM 5/6: support RS-232/422/485 (COM 3/4 support 5V/12V selectable)
Drive Bay	2 x 2.5" SATA II
Digital I/O	4 in / 4 out
Keyboard / Mouse	2 x PS/2 port
Expansion Slots	1 x Mini-PCIe slot, 1 x PCIe(x1)
Power On / Off	1 x Power button

Display

LCD	15" TFT LCD(LED) Resolution XGA 1024x768
Touch Screen	5-wire resistive touch screen or projected capacitive touch screen (USB interface)

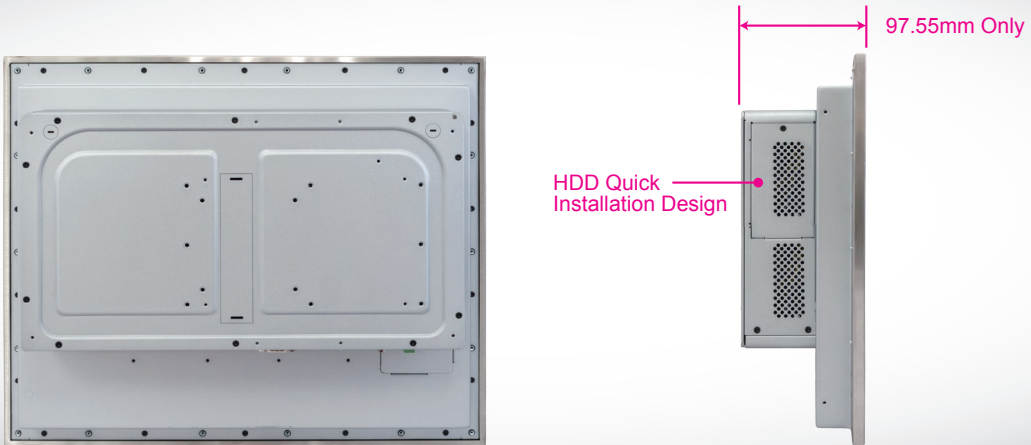
I/O Panel View



Environment

Operating Temp.	HDD: 0°C ~ 40°C (32°F ~ 104°F)
Ambient with air flow	Wide range temp storage and peripherals: 0°C ~ 55°C (With J1900) Wide range temp storage and peripherals: -20°C ~ 55°C (With E3845)
Storage Temp.	-20°C ~ 80°C (-4°F ~ 176°F)
Humidity	20% ~ 90%

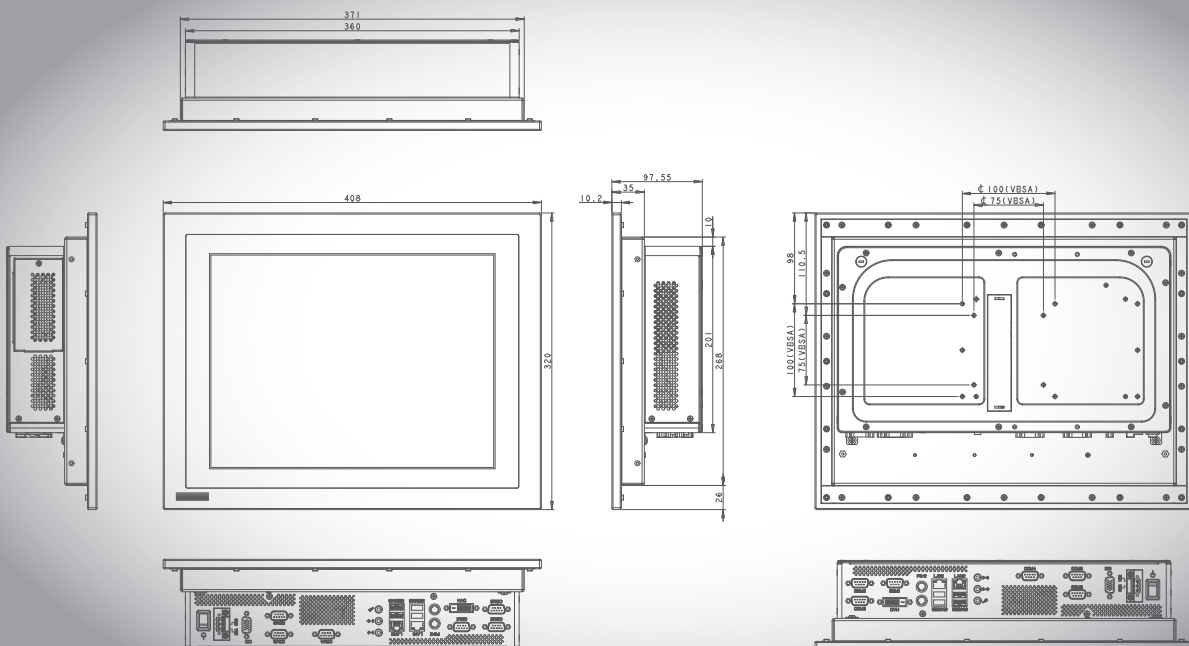
Highlights



Ordering Information

Order No	Description
PLP-P27145-A0B	HSF, 15" XGA 1024x768 with Intel® Atom™ E3845 on board panel PC w/ resistive touch
PLP-P27145-B0B	HSF, 15" XGA 1024x768 with Intel® Celeron® J1900 on board panel PC w/ resistive touch
PLP-P27145-A1B	HSF, 15" XGA 1024x768 with Intel® Atom™ E3845 on board panel PC w/ P-CAP touch
PLP-P27145-B1B	HSF, 15" XGA 1024x768 with Intel® Celeron® J1900 on board panel PC w/ P-CAP touch

Dimensions



unit: mm