

PLP-P26565

› Intel® 7th/6th Gen. Core™ Fanless and High Performance 15" Flat Panel PC



Features



- Intel® 7th/6th Gen. Core™ i7/ i5/ i3 and Pentium® / Celeron® desktop processor (LGA1151)
- 2 x DDR4 2133MHz SO-DIMM memory up to 32GB
- 2 x 2.5" SATA III HDD/SSD with RAID 0/1 (Q170)
- 2 x mini-PCIe slots, 1 x PCIe (x4) slot (Q170)
- 2 x GbE LAN, PoE as option
- Wide range voltage DC In 9~36V
- Front panel IP65 design
- Aluminum front bezel
- 5-wire resistive touchscreen or projected capacitive touchscreen

Specifications



System

CPU Support	Core™ i7-6700TE, Quad Core, 2.4GHz, 8M cache Core™ i5-6500TE, Quad Core, 2.3GHz, 6M cache Core™ i3-6100TE, Dual Core, 2.7GHz, 4M cache Pentium® G4400TE, Dual Core, 2.4GHz, 3M cache Celeron® G3900TE, Dual Core, 2.3GHz, 2M cache
Chipset	Intel® Q170/H110
Memory Support	2 x DDR4 2133MHz SO-DIMM sockets (up to 32GB)
Watchdog	1~255 seconds watchdog timer selectable
Storage	2 x 2.5" SATA HDD/SSD (support RAID 0/1 in Q170 sku only)
Front Bezel	Aluminum
IP65	Yes (for front panel only)
Power Input	DC In 9~36V
Operating System	Windows 10 IoT Enterprise LTSB 2016 64bit / Windows 8.1 (64bit) / Windows 7 (64bit) / Ubuntu16.04 LTS / Linux ubuntu 14.04 (64bit)
Dimensions	364.43 x 278.88 x 117.80 mm (W x H x D)
System Weight	10 kg (TBD)
Mounting Support	Wall mount / VESA 100 / Panel mount
Certifications	FCC / CE

Display

LCD	15" TFT LCD (LED) resolution XGA 1024x768
Touchscreen	5-wire resistive or projected capacitive touchscreen (USB interface)

Applications

- Automation
- Retail
- Food Service
- Banking
- Information
- Hospitality
- Gaming

I/O Ports

Display	1 x DVI-I (DVI-D+VGA)
USB	4 x USB 3.0
Audio	1 x Line In / 1 x Line Out / 1 x Mic In
LAN	2 x LAN (PoE IEEE 802.3af optional), Wake-On-LAN, PXE LAN 1: Intel® PHY 219 LM (10/100/1000 Mbps) LAN 2: Intel® LAN 210 AT (10/100/1000 Mbps)
Serial Ports	COM3/4 for RS232 COM1/2 for RS232/422/485 (selectable under BIOS) [COM1/2 for +5V/+12V/RI selectable by jumper]
Storage	2 x 2.5" SATA III HDD/SSD drive space
Digital I/O port	8 in/8 out, DSUB-25 type or 16-pin terminal block (optional)
Expansion Slots	1 x Full size mini-PCIe (mini PCIe, USB and SIM signals) 1 x Half size mini-PCIe (mini PCIe and USB signals) 1 x SIM card slot 1 x CFAST slot
Antenna Hole	3 x antenna holes
Power On/Off	1 x power button 1 x remote switch
LED	2 x PoE active LED (optional)
I ² C Bus	1 x I ² C Bus port (optional)

Environment

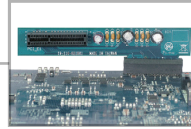
Operating Temp.	SSD: (w/o PoE) 0°C~45°C (32°F~113°F)
Ambient with air flow	(with PoE) 0°C~40°C (32°F~104°F)
Storage Temp.	-20°C~80°C (-4°F~176°F)
Humidity	20%~90%

* All information contained in this document is subject to change without prior notice. Please log on www.antcomputer.com to acquire latest information. For detail mechanics drawing, please contact our sales.

Highlights



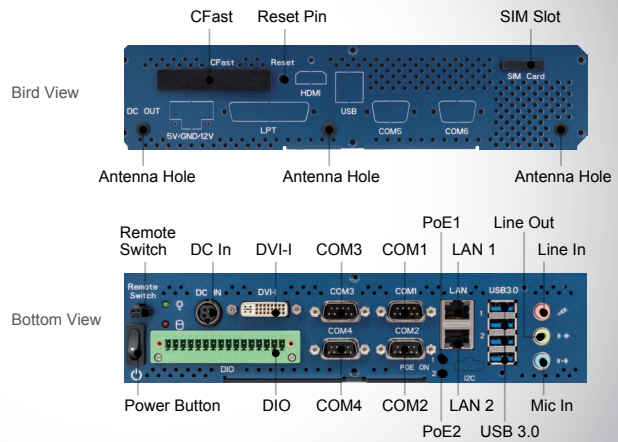
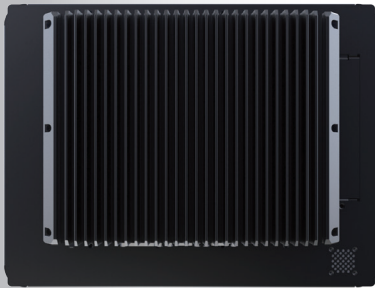
PCIe (x4) Riser Card



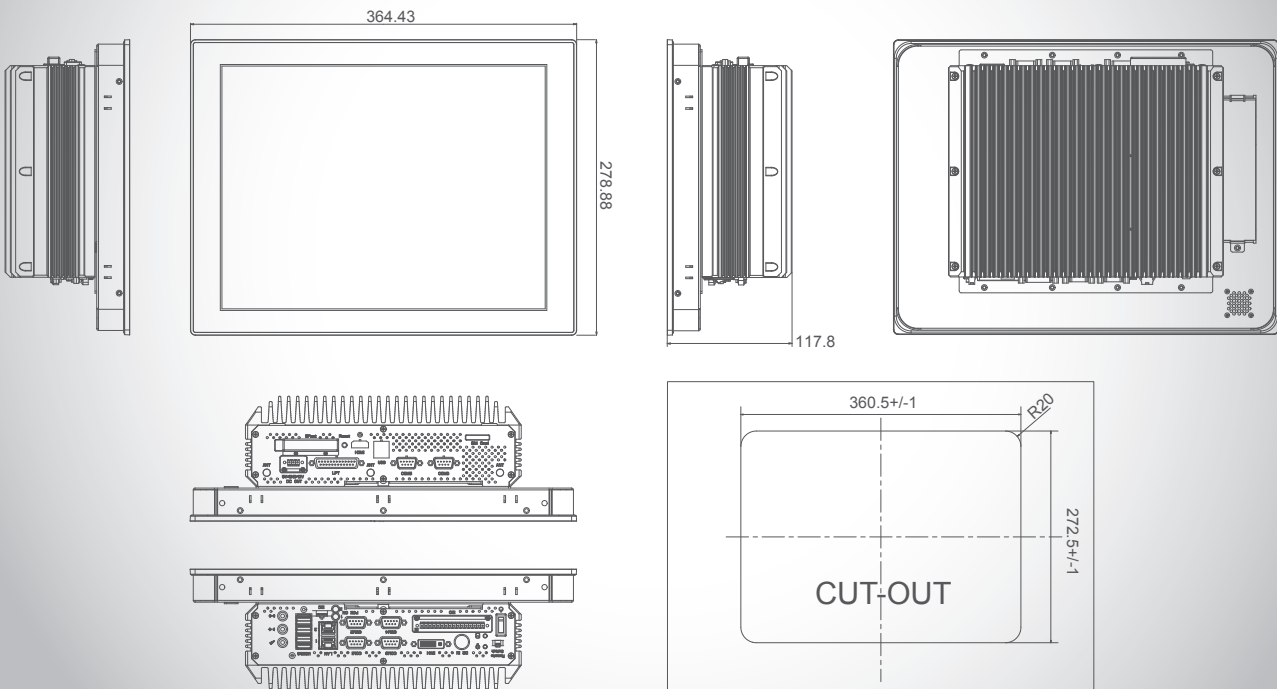
Wi-Fi Module



I/O Panel View



Dimensions



unit: mm