

PLP-A5808

> 8" Intel Celeron N2930 Industrial Fanless Panel PC



Features



- Fanless and quiet design
- Flat front panel touch screen
- Intel Celeron N2930 CPU built-in
- Onboard 4GB DDR3L Memory
- Supports wide range voltage DC in (9~36V)
- Aluminum chassis

Specifications



System

CPU	Onboard Intel Celeron N2930(1.83GHz) Onboard Intel Atom E3845(1.91GHz) for option
System Chipset	SoC
Memory	Onboard 4GB DDR3L 1333MHz/8GB(option)

I/O Port

USB	2 x USB 3.0 type A
Serial / Parallel	1 x DB-9 RS-232/422/485, COM1 (Default RS-232) 1 x RS-232 DB-9, COM2
Audio	1 x Audio Line Out
LAN	2 x GbE LAN RJ-45
Power	1 x 3-pin DC power input terminal 1 x 2-pin connector for power on/off button

Storage Space

HDD	1 x MO-297 SATA SSD bay (Easy Accessible)
Movable Device	1 x SD card slot, up to 32GB

Expansion

Expansion Slot	1 x Internal Mini-PCIe slot full size
----------------	---------------------------------------

Display

	Standard
Display Type	8" TFT-LCD
Max. Resolution	800 x 600
Max. Color	16.2M
Luminance (cd/m ²)	350
View Angle	140(H) / 125(V)
Contrast	500:1
Backlight Lifetime	40,000 hrs

Mechanical

Color	RAL 9007
Construction	Aluminum Die-casting Chassis
Mounting	Panel Mount, VESA 75 x 75
Dimensions (WxHxD)	231mm x 176mm x 50mm
IP Rating	IP66 Compliant Front Bezel
Net Weight	1.9 kg

Environmental

Operating Temperature	0~50°C
Storage Temperature	-30~70°C
Storage Humidity	10 to 90%@ 40°C, non-condensing
Certificate	CE/FCC Class A/CB/UL

Operating System Support

Windows 7, WEC 7, Windows 8.1, Windows 10

Environmental

Operating Temperature	PLP-A5807: 0~50°C, -20~60°C (option)
Storage Temperature	-20~60°C
Storage Humidity	10 to 90%@ 40°C, non-condensing
Certificate	CE / FCC CLASS A/ UL

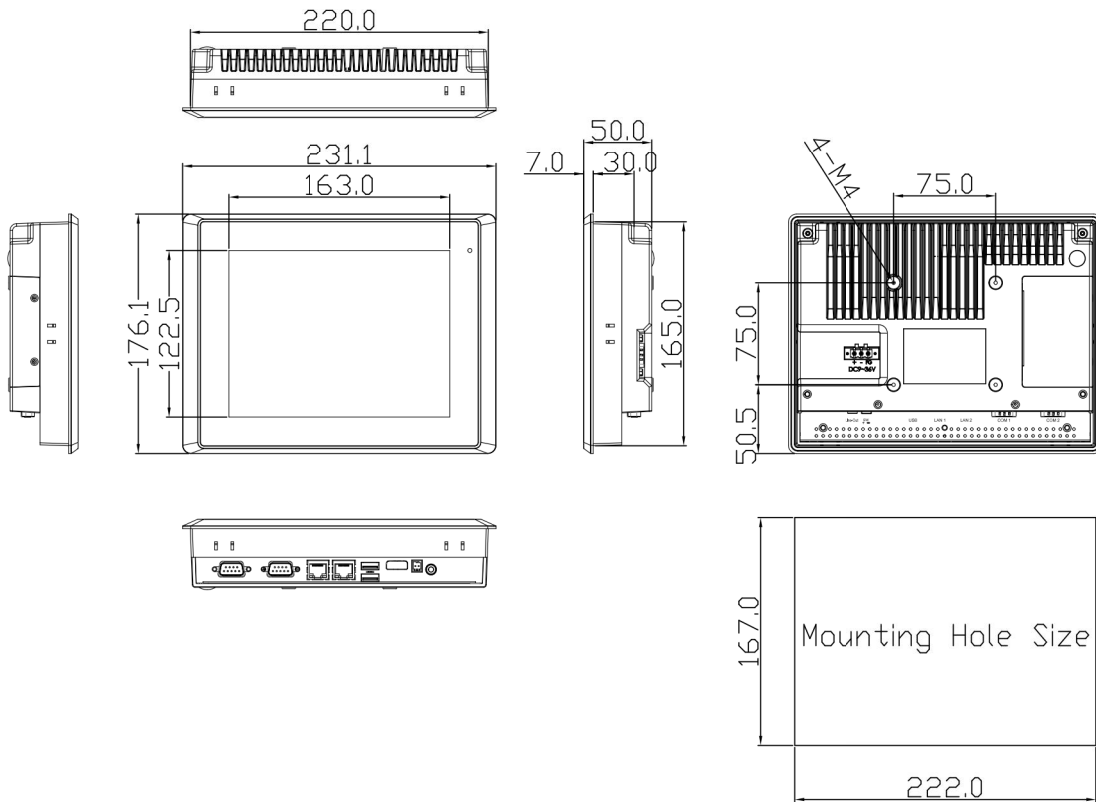
Power

Power Input	DC 9~36V
Power Consumption	PLP-A5808P: 23W

I/O Panel View



Dimensions



unit: mm