

IPC-SP2N207

Intel® 8th Gen. Core™ i7 / i5 / i3 / Celeron® Processor
Compact and Fanless Embedded PC



Features



- Intel® 8th Gen. Core™ i7 / i5 / i3 and Celeron mobile processor
- Storage and Main Board easy maintenance design
- Three independent displays (1 x HDMI + 2 x HDMI/DP up to 4K)
- Multiple I/O board
(LAN / USB / COM / CANBus / LPT) (Optional)
- PoE function (Support PD / PSE) (Optional)
- Expansion slot (full-sized Mini PCIe / SD slot / M.2)
- Support 4 x antenna holes
- Support power remote switch
- Wide-ranged voltage DC In (9~36V)
- Wide-ranged temperature (Optional)
- TPM module (Optional)

Specifications



System

CPU Support	Intel® Core™ i7-8665UE (4C) 1.70GHz Intel® Core™ i5-8365UE (4C) 1.60GHz Intel® Core™ i3-8145UE (2C) 2.2GHz Intel® Celeron® 4305UE (2C) 2.0GHz
Memory Support	2 x DDR4 2400 SO-DIMM socket (memory up to 32GB)
API	Watchdog / HW monitor / Digit I/O / I°C
Watchdog Timer	1~255 seconds
Drive Bay	1 x 2.5" SATAIII HDD or SSD drive space 1 x M.2 PCIe or SATAIII drive space
Power Input	Terminal block 9~36V (for PSE SKU) PoE LAN 54V (for PD SKU)
Operating System	Windows® 10 IoT Enterprise LTSC 2019 64bit Ubuntu18.04 LTS
Expansion Slots	1 x full-sized Mini PCIe (PCIe+USB 2.0) 1 x M.2 slot (2242-D2-E), PCIe/USB2.0 support (USB 2.0 only for Core™ i) 1 x M.2 slot (2242-D2-B), PCIe/SATA support 1 x SD slot (SD/SDHC/SDXC) 2 x I/O expansion slot TPM 2.0 (FW/HW) (optional)
Mounting	Wall mount DIN-Rail
System Weight	3 kg
Dimensions	228.00 x 71.27 x 212.09 mm (W x H x D)
Certifications	CE / FCC

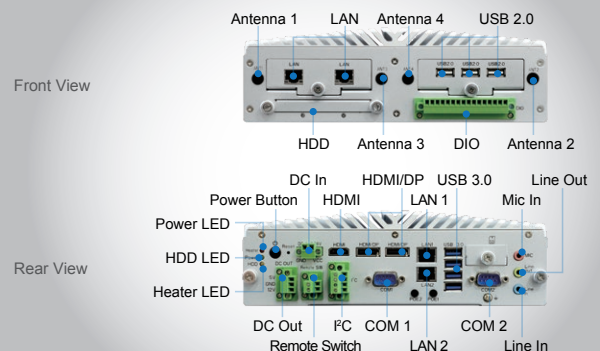
I/O Ports

USB	4 x USB 3.1 (Gen2)
Display	1 x 4K HDMI limitation: no sound signal, no hot plug 2 x 4K HDMI/DP (selectable under BIOS)
Serial Ports	2 x COM 1/2 for RS-232/422/485 (selectable under BIOS) [COM 1/2 for +5V/+12V/RI selectable by jumper] #1
LAN	2 x RJ45 connector with PSE/PD, support Wake-On-LAN/PXE # PSE: Output IEEE 802.3 AT 54V/25.5W (each port) (optional) # PD: Input IEEE 802.3 AT 54V/25.5W (each port) (optional)
LED	1 x Power On indicator (yellow) 1 x HDD LED indicator (green) 1 x negative temperature indicator (red) 2 x PoE power indicators (red)
Antenna Holes	4 x antenna holes
Drive Bay #2	1 x 2.5" SATAIII HDD or SSD drive space 1 x M.2 PCIe or SATAIII drive space
Digital I/O	8 in / 8 out (optional) #1
I°C	1 x 4 pin terminal block (optional) #1
DC Out	1 x 3 pin terminal block (DC 5V/12V/GND) (optional) #1
Power Remote Switch	1 x 2 pin terminal block (optional)
Audio	1 x Line Out / 1 x Mic In / 1 x Line In
Ground	1 x M3 hole

#1 Only support for PSE SKU. #2 Only support one drive bay for PD SKU.

* All information contained in this document is subject to change without prior notice. Please log on www.antcomputer.com to acquire latest information. For detail mechanics drawing, please contact our sales.

System Front View & Rear View



Optional I/O Expansion Ports

LAN	2 x RJ45 connector, support Wake-On-LAN/PXE
COM	2 x COM port for RS-232/422/485 (selectable under BIOS)
USB	3 x USB 2.0
Parallel Port	2 x DSUB 26 pin connector
CANBus	2 x DSUB 9 pin connector

Environment

Operating Temp. (Ambient with airflow)	Non-wide-ranged temperature HDD/SSD: HDD: 0°C~40°C (32°F~113°F) SSD: 0°C~50°C (32°F~122°F) With wide-ranged temperature SSD: 0°C~60°C (32°F~140°F) @humidity 20~95% (w/o heater, w/ PoE) 0°C~70°C (32°F~158°F) @humidity 20~95% (w/o heater, PoE) -40°C~60°C (-40°F~140°F) @humidity 20~95% (w/ heater, PoE) (optional) -40°C~70°C (-40°F~158°F) @humidity 20~95% (w/ heater, w/o PoE) (optional)
Storage Temp.	-40°C~85°C (-40°F~185°F)
Humidity	Operating humidity: 20%~90% Storage humidity: 20%~95%

Applications

- Automation
- Retail
- Banking
- Information
- Medical