

# IPC-SP28400

Intel® 6th / 7th Gen. Core™ fanless and high performance embedded PC



## Features

- Intel® 6th/7th Gen. Core™ i7/ i5/ i3 and Pentium®/ Celeron® Desktop Processor (LGA 1151)
- 2 x DDR4 2133MHz SO-DIMM memory up to 32 GB
- 2 x 2.5" SATA III HDD/SSD with RAID 0/1 (Q170)
- 2 x mini-PCIe slots, 1 x PCIe(x4) slot(Q170)
- 2 x GbE LAN, PoE as option
- DVI-I & HDMI for display
- 6 x USB3.0 (in Q170 )
- 1 x 8in/ 8out DIO
- 6 x COM ports
- Wide range voltage DC in 9~36V

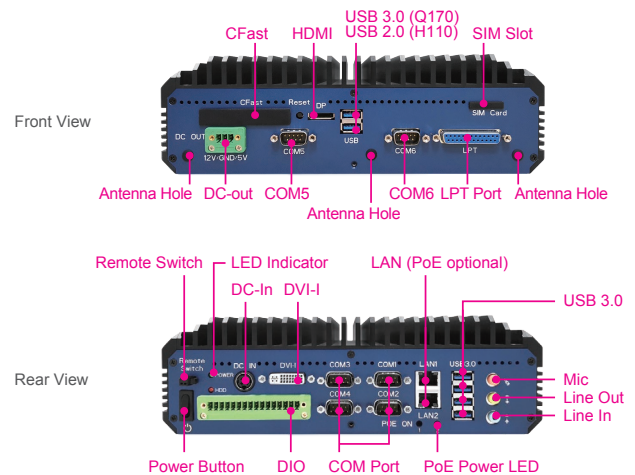
## Specifications



### System

CPU Support	Core™ i7-6700TE, Quad Core, 2.4GHz, 8M cache Core™ i5-6500TE, Quad Core, 2.3GHz, 6M cache Core™ i3-6100TE, Quad Core, 2.7GHz, 4M cache Pentium® G4400TE, Dual Core, 2.4GHz, 3M cache Celeron® G3900TE, Dual Core, 2.3GHz, 2M cache
Chipset	Intel® Q170/ H110
Memory Support	2 x DDR4 2133MHz SO-DIMM up to 32 GB
Watchdog	1~255 seconds Watchdog timer selectable
Drive Bay	2 x 2.5" SATAIII HDD/SSD (support RAID 0/1 in Q170sku only)
Audio	1 x Line-in / 1 x Line-out / 1 x MIC
Expansion Slot	1 x Full size mini-PCIe (mini PCIe, USB and SIM signals) 1 x Half size mini-PCIe (mini PCIe and USB signals) 1 x SIM card slot 1 x CFast slot
System Weight	4.9 Kg
Operating System	Windows7 (64bit), Windows 8.1 (64bit), Win10 IoT LTSC 2016, Linux ubuntu 14.04 (64bit)
Dimension (WxHxD)	260 x 80 x 200mm
Power Input	DC in 9~36V
Certificate	FCC / CE

### System Front View & Rear View



### I/O Ports (Front side)

Display	1 x HDMI
USB	2 x USB 3.0 (Q170), 2 x USB 2.0 (H110)
Serial Port	COM 5/6 for RS232 (optional)
Parallel port	1 x LPT port (optional)
SIM card	1 x SIM slot
CFast slot	1 x CFAST slot
Antenna	3 x antenna hole
I2C	1 x I2C port (optional)
Power Output	1 x 3pin terminal block for DC-out 5V/12V (1A max)

### I/O Ports (Rear side)

Display	1 x DVI-I (DVI-D+VGA)
USB	4 x USB3.0
Serial Port	COM 3/4 for RS232 COM 1/2 for RS232/422/485 (selectable by BIOS) (COM1/2 for +5V/+12V/RI selectable by jumper)
LAN	2 x GbE LAN, Wake-On-LAN, PXE LAN 1: Intel® PHY 219 LM (10/100/1000 Mbps) LAN 2: Intel® LAN 210 AT (10/100/1000 Mbps)
Digital I/O port	8 in / 8 out , DSUB-25 type or 16-pin terminal block (optional)
Audio	1 x Line-in / 1 x Line-out / 1 x MIC
Power Input	DC in 9~36V (DIN type 4-pin connector or 3-pin terminal block)
LED	1 x power LED, 1 x HDD LED, 2 x PoE active LED (optional)
Power On/Off	1 x power button, 1 x remote switch

### Environment

Operating Temp. (with airflow)	HDD: 0°C ~40°C (32°F ~ 104°F) SSD: 0°C ~50°C (32°F ~ 122°F)
Storage Temp.	- 20°C ~ 80°C (-4°F ~176°F)
Humidity	20% ~ 90%