

SBC



IPC-HP391

ISA VIA Nano/Eden ULV
CPU Card w/VGA/SATA/
CF/FDD/LAN

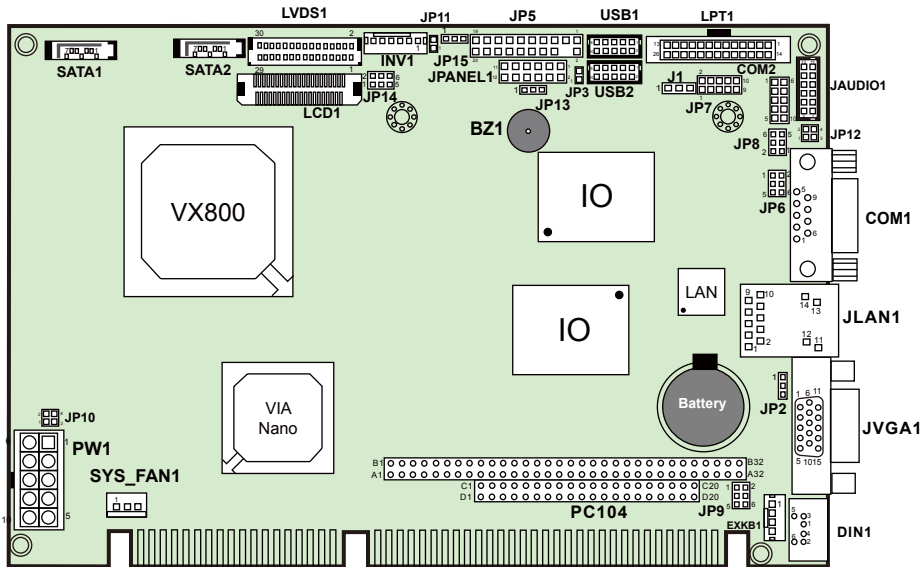
Features :

- Support VIA Nano 1.3G/Eden ULV 500MHz Support FSB 800/667/533 MHz
- Memory Support DDR2 SO-DIMM 667/533/400MHz SDRAM up to 2GB
- Support one 10/100M Ethernet Optional Giga Ethernet
- Supports 2 x SATAII , 4 x USB 2.0 Port and 2 x Serial port
- Expansion Slots for one PC104 slot



ISO CERTIFIED
9001 14001

ISA VIA Nano/Eden ULV CPU Card w/VGA/SATA/CF/ FDD/LAN



Specifications	
System	
CPU Support	VIA Nano 1.3G/Eden ULV 500MHz Support FSB 800/667/533MHz
CPU Frequency	Nano 1.3G/Eden ULV 500MHz FSB 800/667/ 533MHz
Chipset	VIA VX800
DRAM	1 x 200Pin DDR2 SO-DIMM to support 400/533/667MHz up to 2GB
BIOS	AMI BIOS
Watchdog	1~255 secs Watchdog timer selectable
Power Supply	Support AT/ATX Power
Power Requirement	+5V, +12V, +3.3V, +5VSB
Power Consumption	+5V : 9.66A /+12V : 1.67A (Nano1.3G)
Dimension	185mm x 122mm (7.28" x 4.8")
Certificate	FCC / CE

I/O Chipset	
SATA Interface	2 x S-ATA II connector
SSD	1 x compact flash (IDE)
FDD Interface	1 x FDD Silm type connector on board
Expansion BUS	1 x PC104 Slot
Serial Port	2 x COM port, COM 1 for RS-232, COM 2 for RS-232/422/485
Parallel Port	1 x LPC Pin header onboard
Parallel Port	1 x Parallel Port (SPP / EPP / ECP)

Keyboard	PS/2 Connector, with mini DIN connector
Mouse	PS/2 Connector, with mini DIN connector
LAN	Realtek 8103E (10/100Mbps), Optional Realtek 8111DL (10/100/1000Mbps) Support Wake-on-LAN with ATX power
Audio	Onboard HD Line-in pin header
USB	4 x USB 2.0

Display	
Graphic	Built-in VX800, share system memory (VX800 supports Direct X9); Supports VGA, LVDS, TTL (18bit & 18bit)
LCD Interface	18 bit singel channel LVDS / 18bit TTL

Environment	
OperationTemp.	0°~60°C (32°~140°F)
Storage Temp.	-40°~85°C (-40°~185°F)
Humidity	Operation humidity 20~90%, Storage humidity 20~95%

Ordering Information	
IPC-HP391	ISA VIA Nano 1.3 CPU Card w/ VGA / 2COM / FDD / LAN / SATA / CF
IPC-HP391	ISA VIA Eden ULV 500MHz CPU Card w/ VGA / 2COM / FDD / LAN / SATA / CF